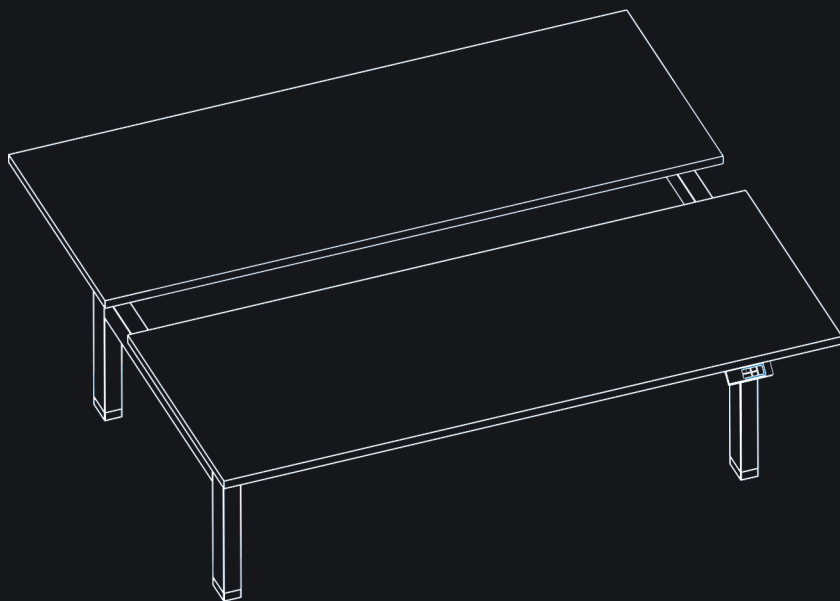


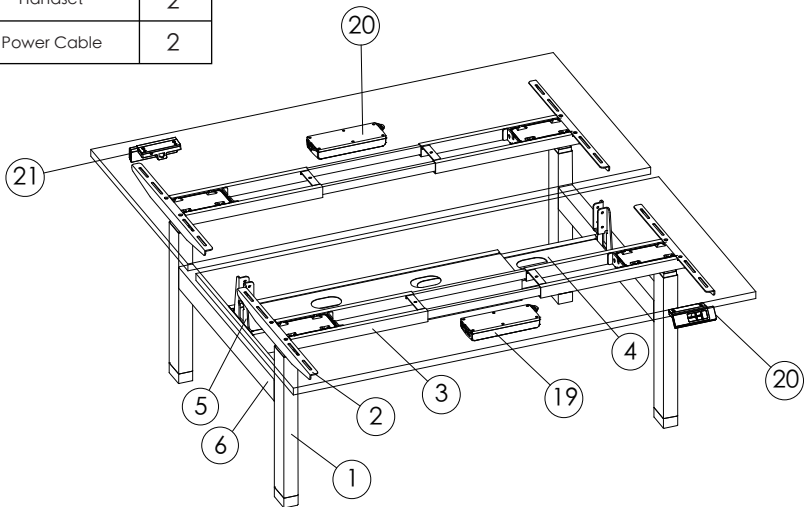
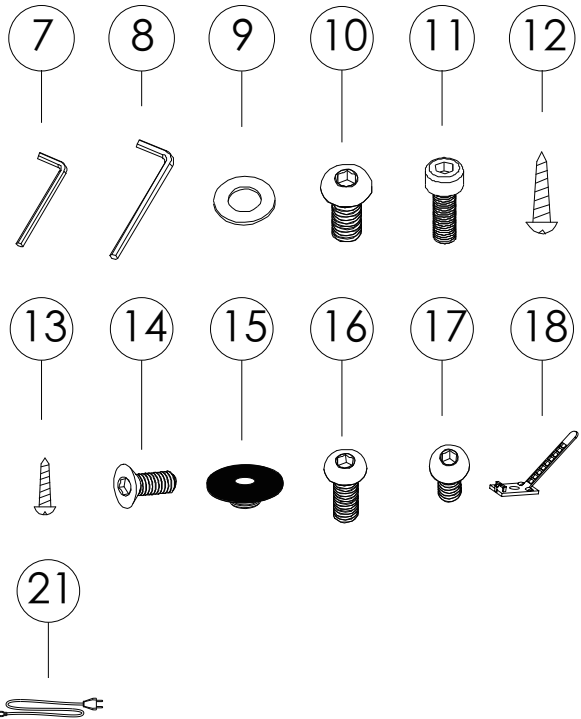
ERGO **WORK**

Montage instructies Ergowork Pro Bench

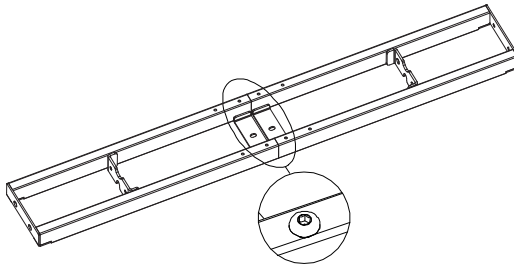


PARTS AND TOOLS LIST

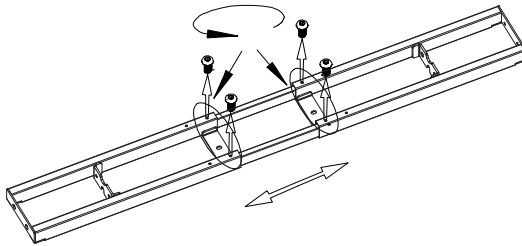
NO	Name	Qty
1	Legs	4
2	Brackets	4
3	Support Beam	2
4	Cable Tray	1
5	Screen Stand	4
6	Connection beam	2
7	4mm Hex Spanner	2
8	5mm Hex Spanner	2
9	Gasket 8	8
10	M8*16 Screw	8
11	M6*20 Screw	8
12	ST4.8*19 Screw	24
13	ST3.5*19 Screw	14
14	M6*12 Screw	24
15	Rubber Cushion	20
16	M6*16 Screw	8
17	M6*10 Screw	8
18	Cable Clip	10
19	Control Box	2
20	Handset	2
21	Power Cable	2



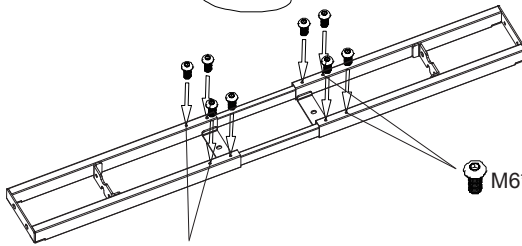
STEP 1



4 MM HEX SPANNER

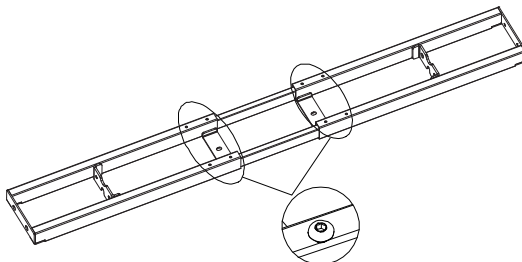


4 MM HEX SPANNER

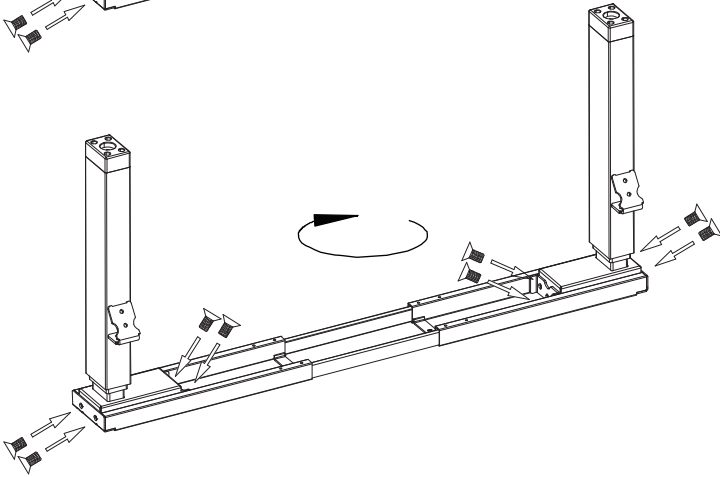
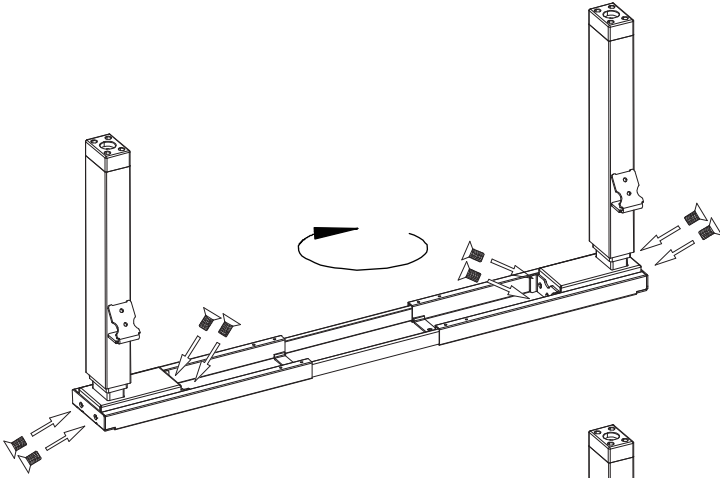


M6*10 Screw 2 PCS

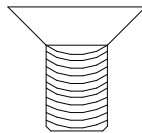
M6*10 Screw 2 PCS



STEP 2



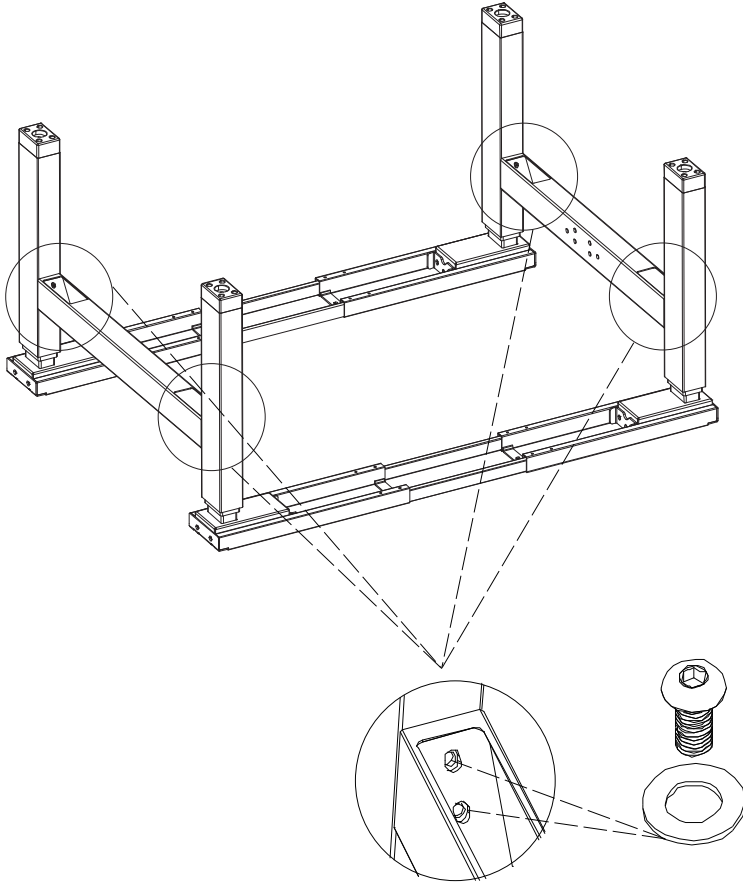
M6*12 SCREW 16PCS



4MM HEX SPANNER

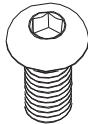


STEP 3



M8*16 SCREW 8PCS

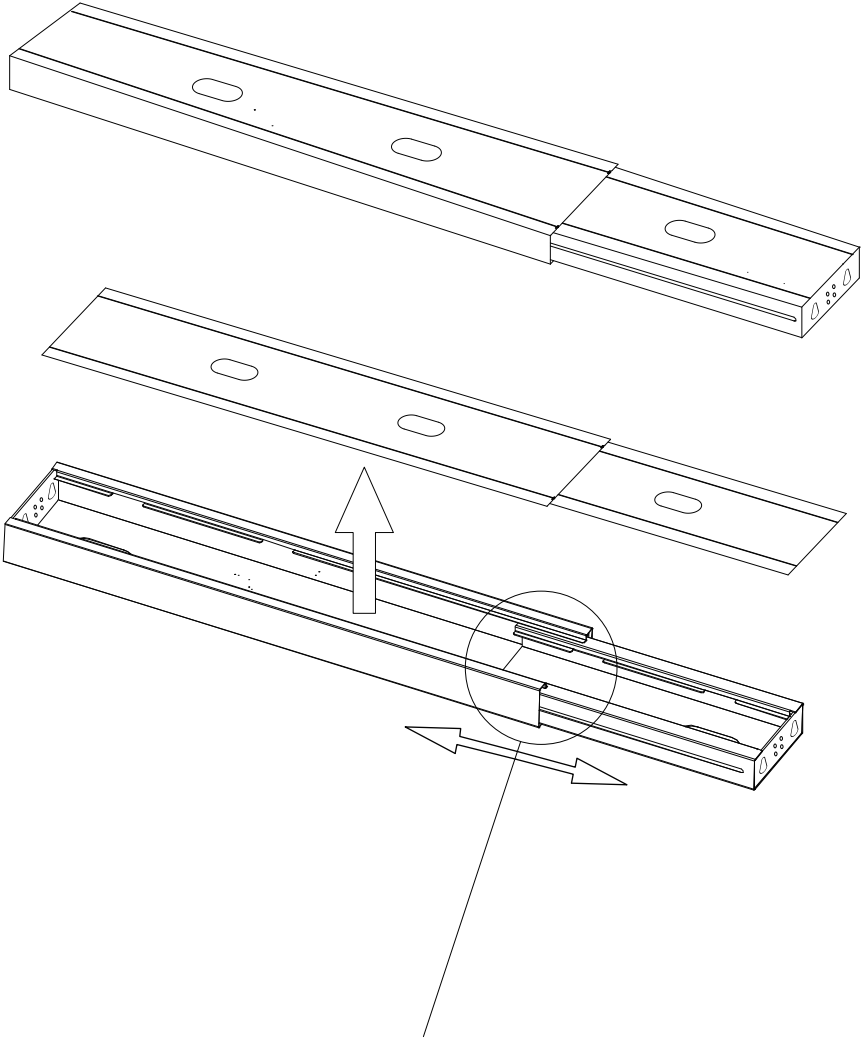
GASKET 8PCS



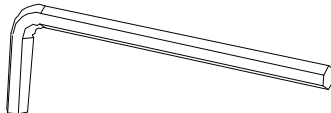
5MM HEX SPANNER



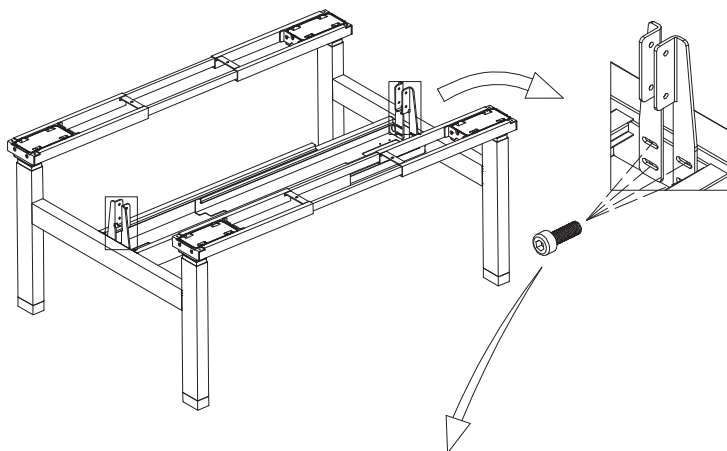
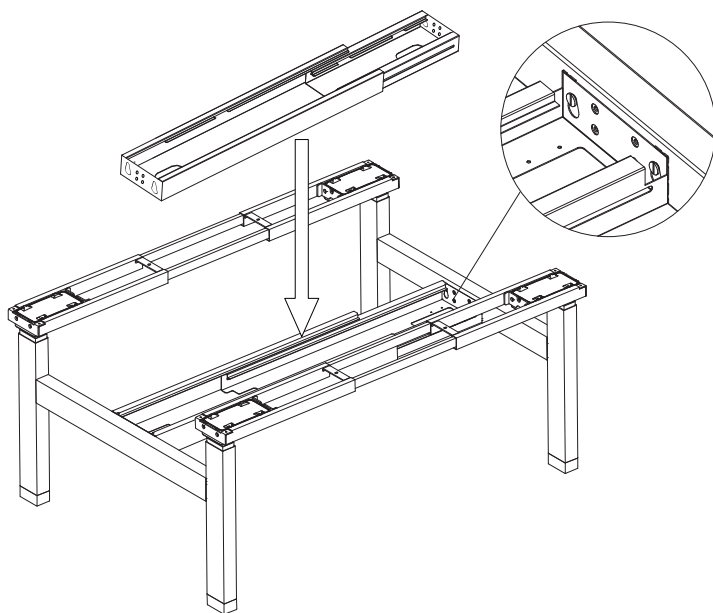
STEP 4



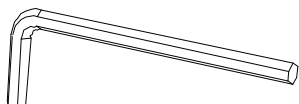
4MM HEX SPANNER



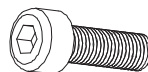
STEP 5



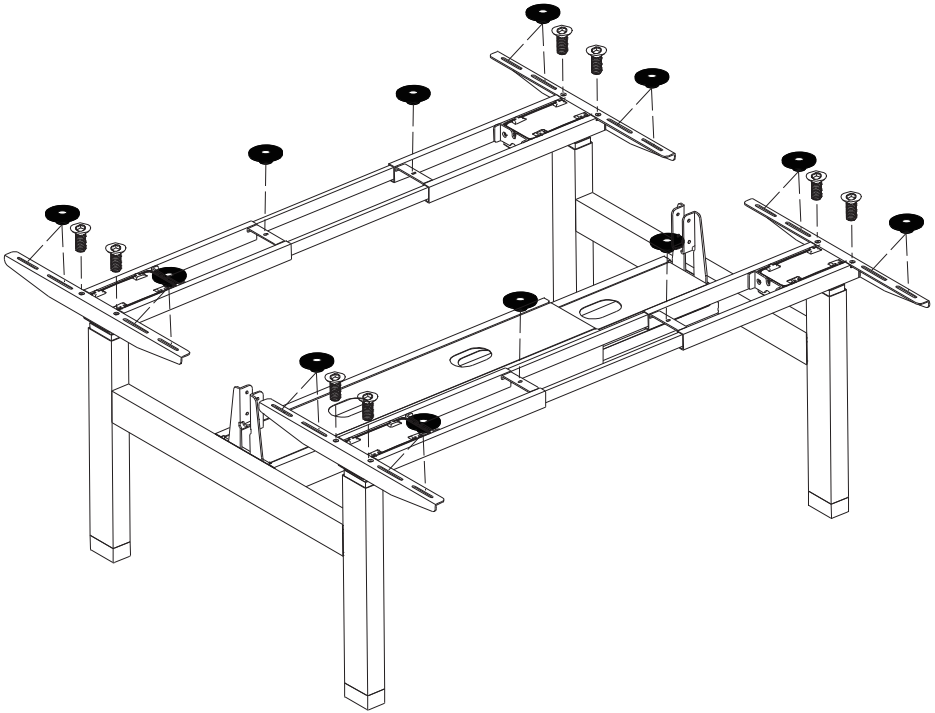
5MM HEX SPANNER



M6*20 SCREW 8PCS



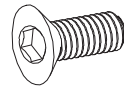
STEP 6



RUBBER CUSHION 20PCS



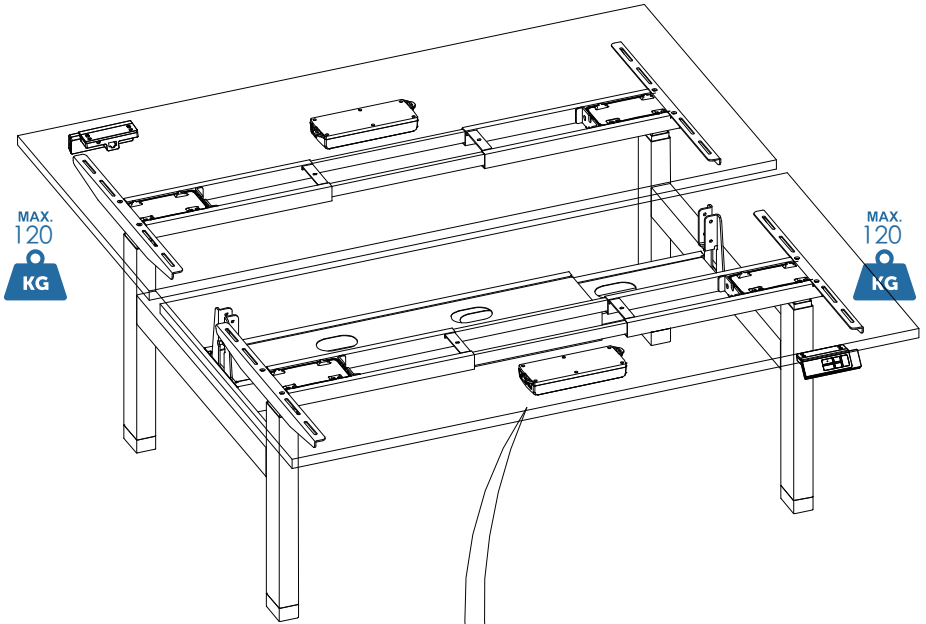
M6*12 SCREW 8PCS



4MM HEX SPANNER

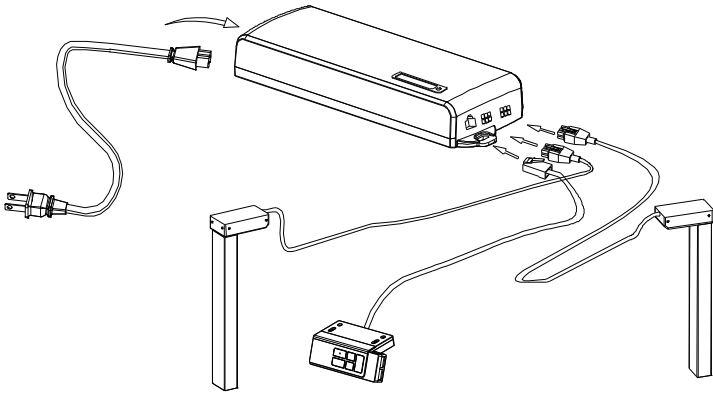


STEP 8



MAX.
120
KG

MAX.
120
KG



ST3.5*19 SCREW 10PCS



CABLE CLIP

