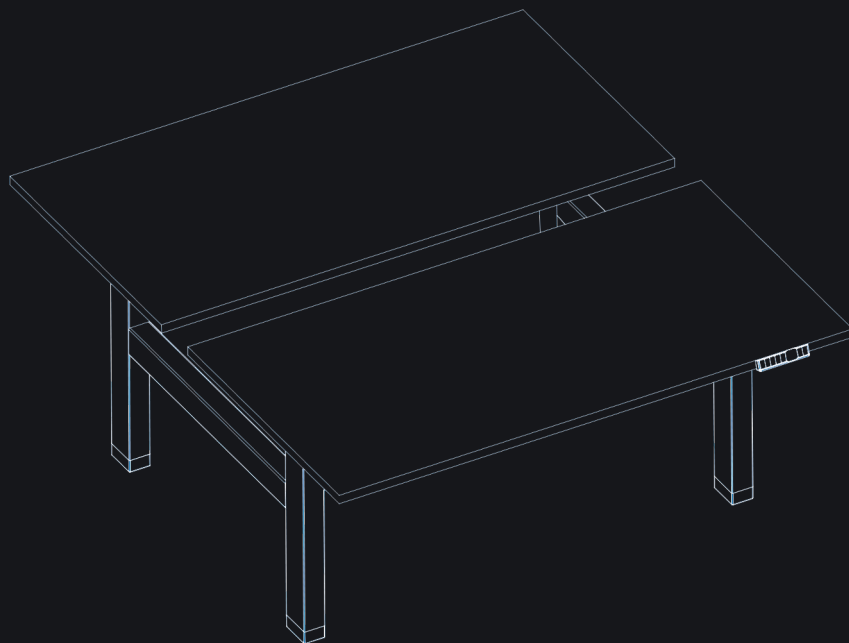


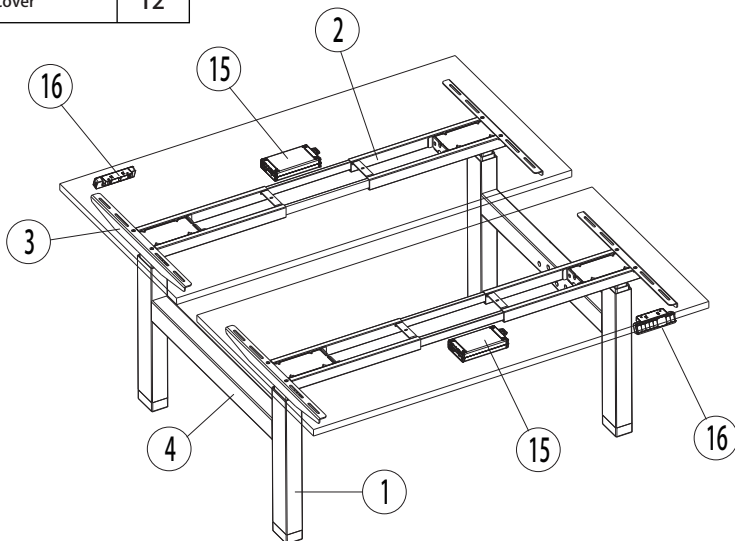
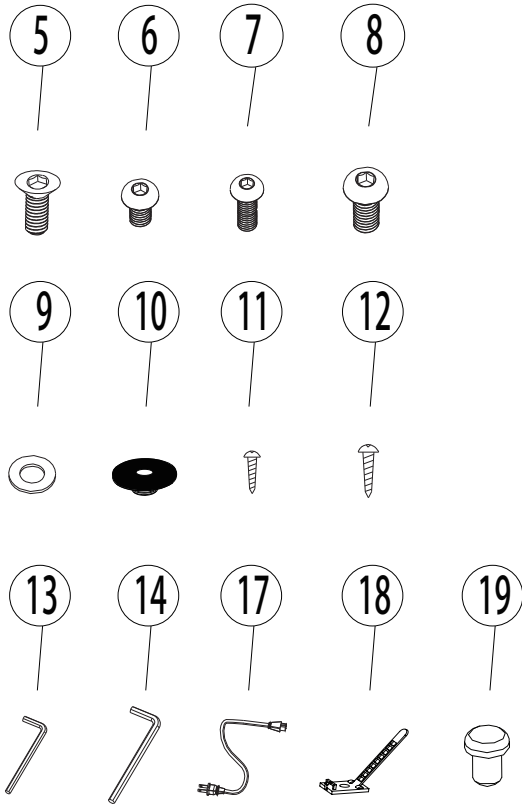
# ERGO **WORK**

## Montage instructies Ergowork Bench

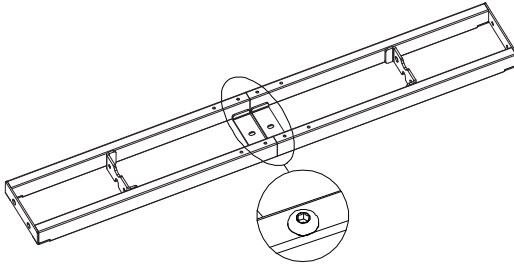


# PARTS AND TOOLS LIST

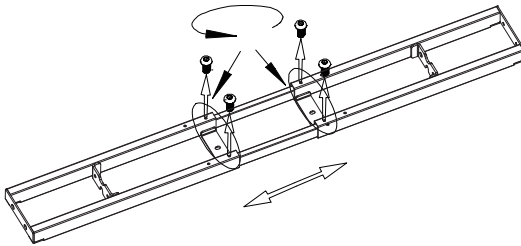
NO	Name	Qty
1	Leg	4
2	Support Beam	2
3	Bracket	4
4	Connection Beam	2
5	M6*12 Screw	24
6	M6*10 Screw	8
7	M6*16 Screw	8
8	M8*16 Screw	8
9	Gasket8	8
10	Rubber Cushion	20
11	ST3.5*19 Screw	14
12	ST4.8*19 Screw	24
13	4mm Hex Spanner	2
14	5mm Hex Spanner	2
15	Control Box	2
16	Handset	2
17	Power Cable	2
18	Cable Clip	10
19	Hole Cover	12



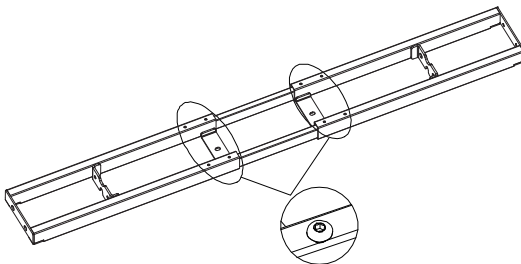
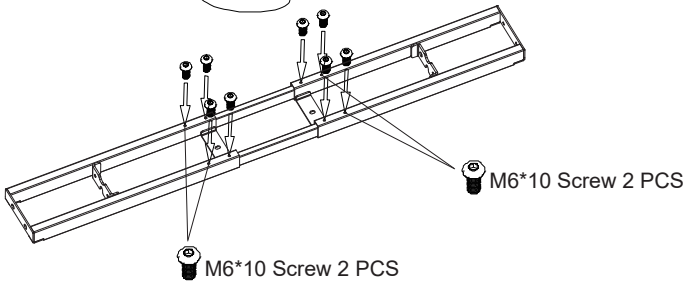
**STEP 1**



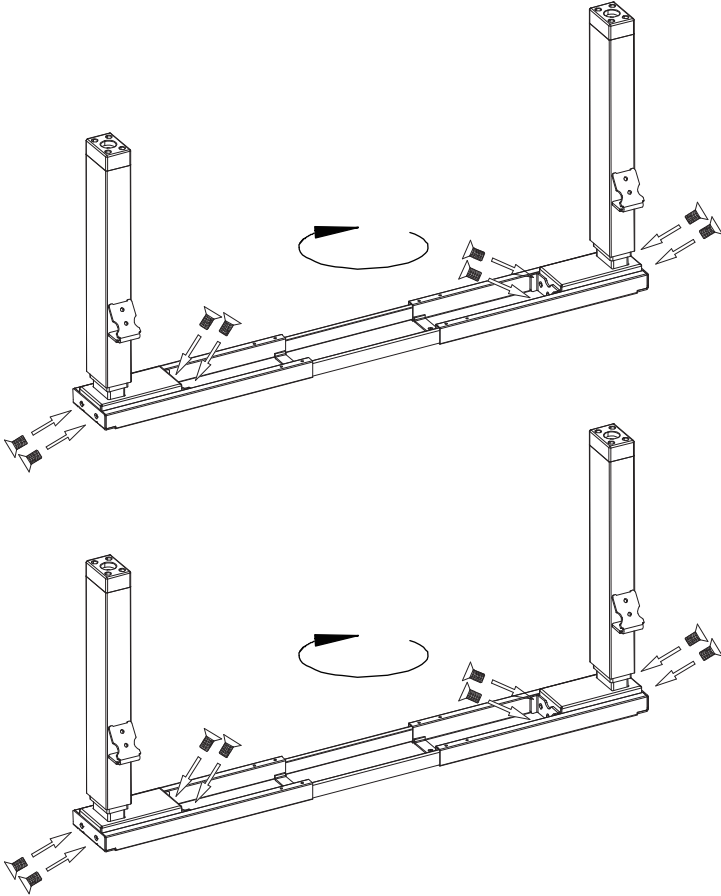
**4 MM HEX SPANNER**



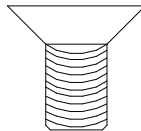
**4 MM HEX SPANNER**



STEP 2



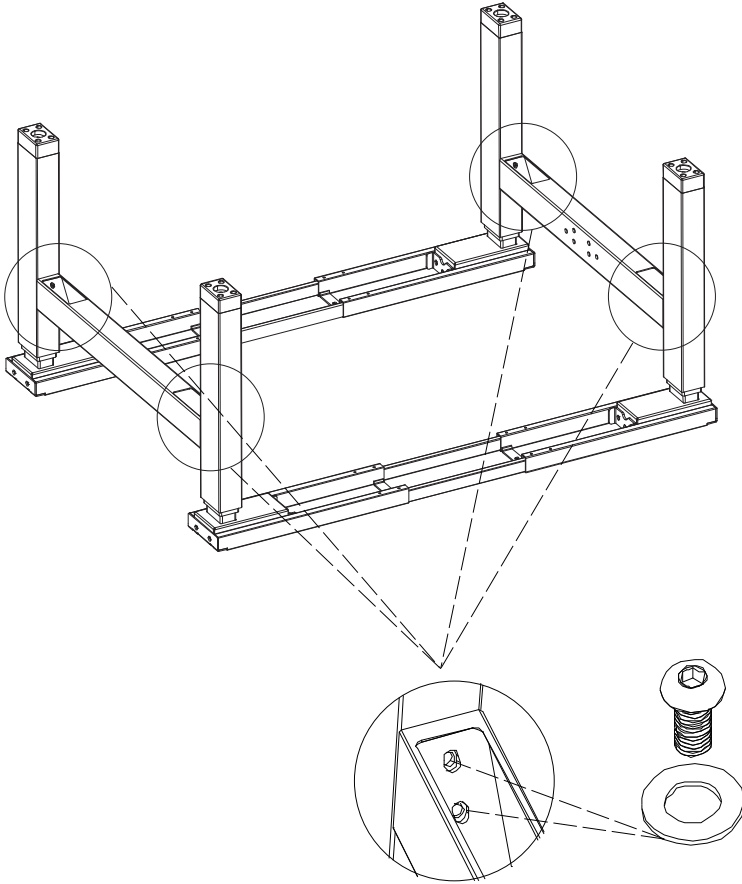
M6\*12 SCREW 16PCS



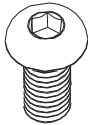
4MM HEX SPANNER



**STEP 3**



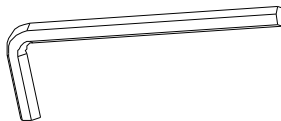
**M8\*16 SCREW 8PCS**



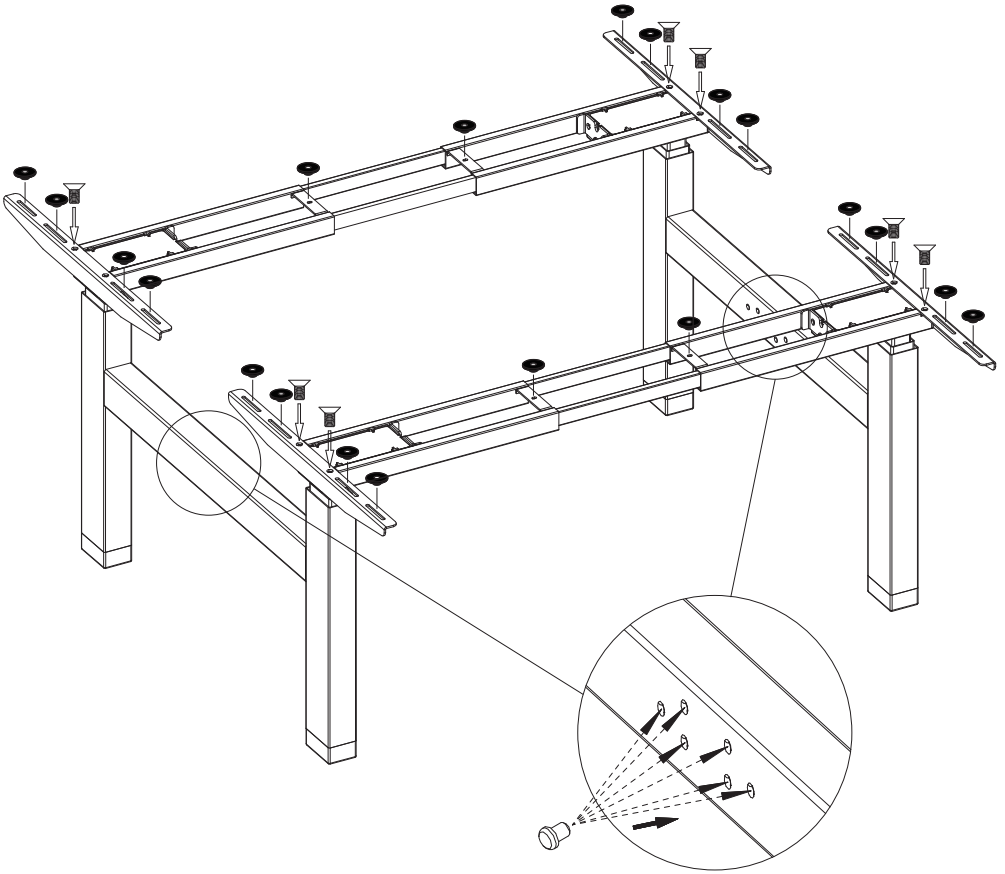
**GASKET 8PCS**



**5MM HEX SPANNER**



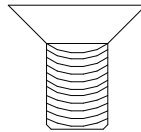
**STEP 4**



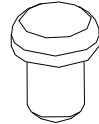
**RUBBER CUSHION 20PCS**



**M6\*12 SCREW 8PCS**

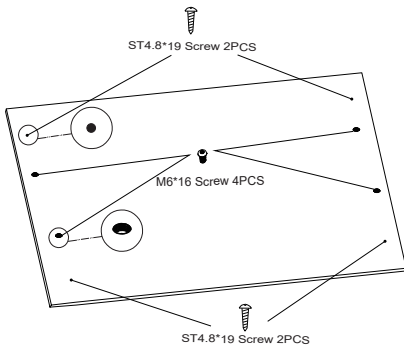
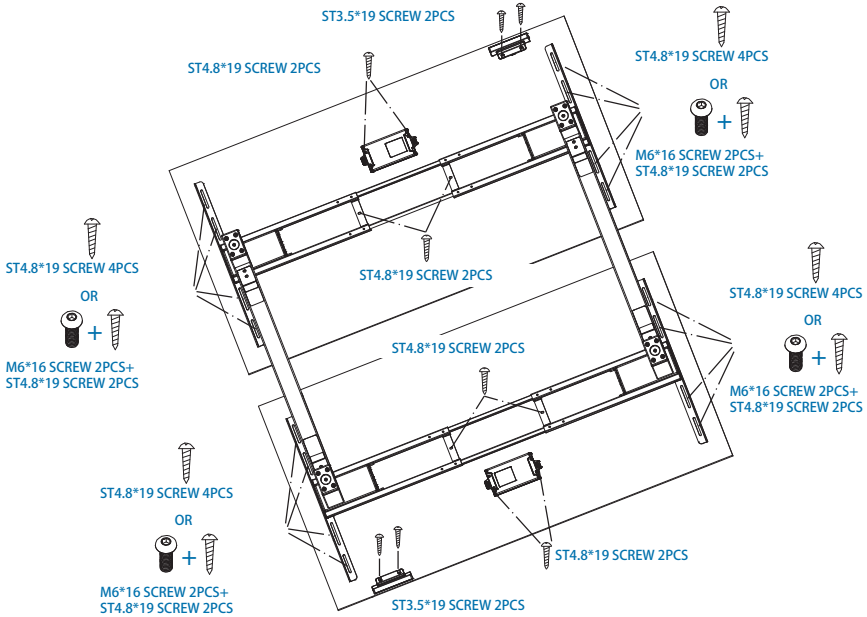


**HOLE COVER 12PCS**



**4MM HEX SPANNER**



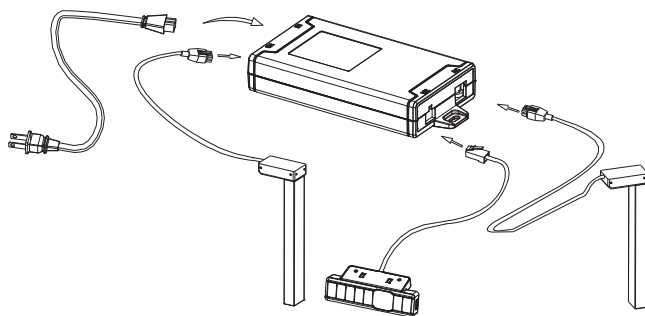
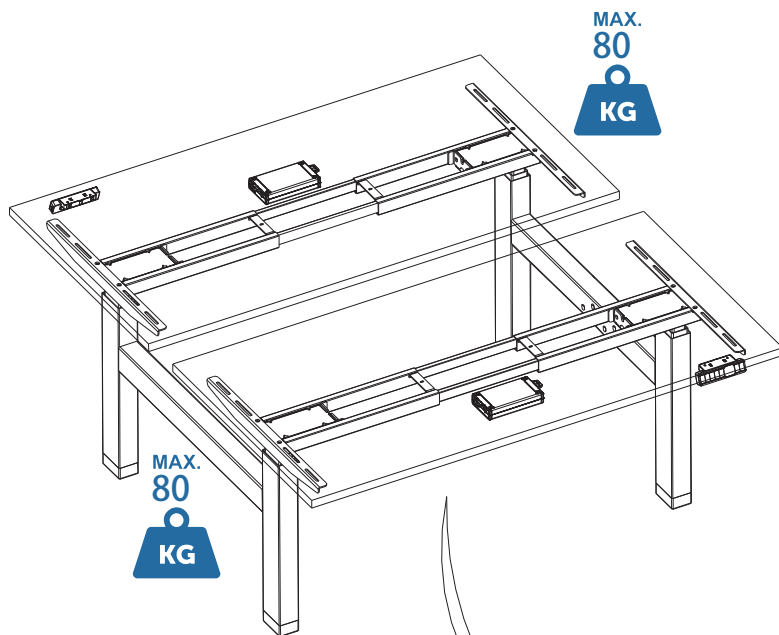


or



EN: Do not use ST4.8\*19 screws for a table top that is thinner than 20 mm  
 FR: N'utilisez pas les vis ST4.8\*19 pour un plateau de table plus mince que 20 mm  
 NL: Gebruik geen ST4.8\*19 schroeven voor een tafelblad dat dunner is dan 20 mm  
 IT: Non usi ST4.8\*19 viti per un piano da tavolo più sottile di 20 mm  
 ES: No utilice tornillos ST4.8\*19 para un tablero de mesa que sea más delgado que 20 mm  
 DE: Verwenden Sie keine Schrauben ST4.8\*19 für eine Tischplatte, die dünner ist als 20 mm  
 RU: Не используйте ST4.8\*19 винтов для столешницы, которая тоньше 20 мм  
 PL: Nie należy używać ST4.8\*19 śrub do blatu, która jest cieńsza 20 mm

STEP 6



ST3.5\*19 SCREW 10PCS

CABLE CLIP

